

Installation Options

- Freestanding
- Freestanding in an Alcove
- Freestanding in a Mobile Home
- Optional GreenStart Igniter
- Optional High-Tech Blower

Features

- 2.2 Cubic Foot (0.062 Cubic M) Firebox Volume
- Single Operating Control
- Accepts Logs Up to 20.5" 521mm) Long
- Steel Plate Construction (1/4" & 3/16")
- Heavy Duty Refractory Firebrick

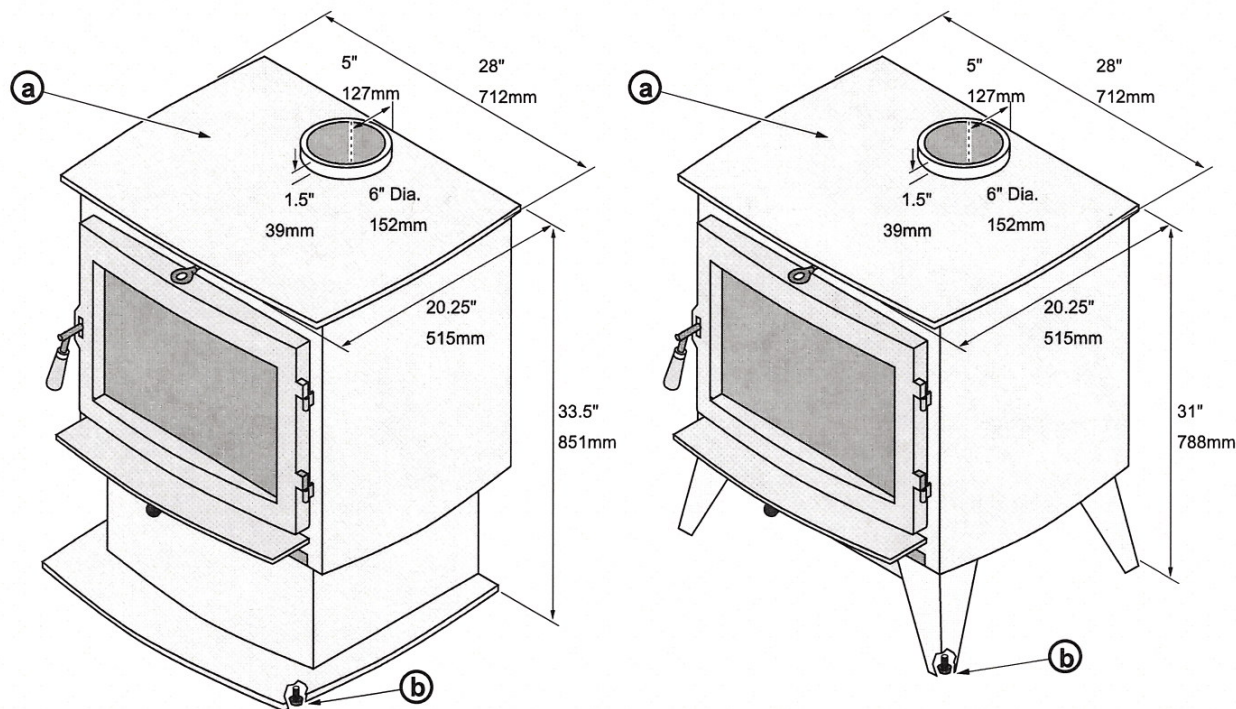
Heating Specifications

Approximate Maximum Heating Capacity (in square feet)*	up to 2,000 (185 square meters)
Maximum BTUs per Hour	73,500
Maximum Burn Time	Up to 10 Hours

* Heating capacity will vary depending on the home's floor plan, degree of insulation, and the outside temperature. It is also affected by the quality and moisture level of the fuel.

This model was tested for efficiency using method B415.1-10 and was determined to have a weighted average Higher Heating Value (HHV) Overall Heating Efficiency (OHE) of 77.1%. Overall efficiency of the heater may be lower if the heater is operated without a heat exchange blower or with the installed heat exchange blower turned off.

Dimensions



(a) Side, rear and corner clearances are measured from the stove top.

(b) Rubber-Tipped Leveling Bolts (at each corner).

Emissions

This heater meets the 2020 U.S. EPA's cord wood emission limits for wood heaters. Tested to EPA Alt-125, ASTM E3053-17, ASTM 2515-11, CSA B415.1-10 this heater has been shown to deliver heat at rates ranging from 12,772 to 70,720 BTU/hr and an emission value of 1.52g/h. Report No. 0028WS119E

